

INSTALLATION GUIDE GUIDE D'INSTALLATION GUÍA PARA INSTALACIÓN

SHOWER COLUMN 11 COLONNE DE DOUCHE 11 COLUMNA PARA DUCHA 11



Bain Signature

11 April 2019

FEATURES

- Single-piece curving panel design
- Full stainless steel casing
- Fingerprint resistant nanotechnology coating
- 2 adjustable spray nozzle arrays
- 50-nozzle overhead "rainfall" shower array
- 3-way shower selector knob
- Full brass hand shower in chrome outer finish with cradle
- Easy to install bracket system and connection to existing shower head outlet

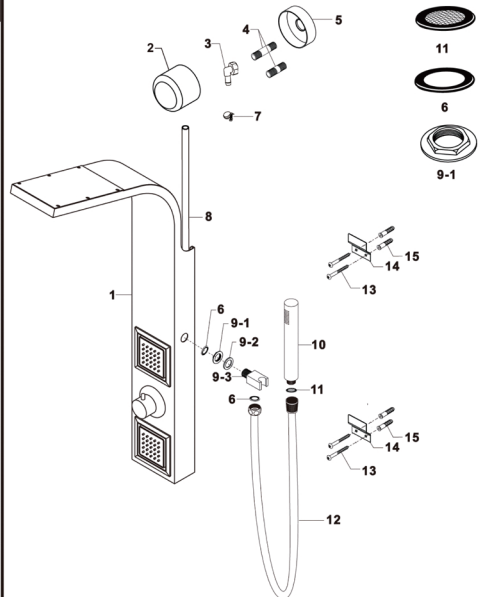
Technical Data

Maximum operating pressure:	125psi
Recommended pressure:	50~80psi
Test pressure:	20psi , 125psi
Max. hot water temperature:	176 °F/80°C
Recommended hot water temperature:	120~160°F
Flow rate @ 80 psi:	<2.5gpm





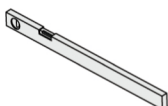



* For safety, it is highly recommended you familiarize yourself with all applicable local plumbing codes and temperature safety guidelines for your area before setting the temperature on the shower panel (especially for very hot water settings).

Parts List

ITEM	DESCRIPTION	QTY
1	Shower Panel Casing	1
2	Shower Head Outlet Connector Cover	1
3	Brass Elbow Connector with Washer	1
4	Brass extender joint (1 5/8" & 2 5/8" x 1/2")	2
5	Base Plate Cover with Tape (for Shower Head Outlet Connector Cover)	1
6	O Ring Gasket	2
7	Stainless Steel Clip	1
8	Main PVC Supply Line (43"/110cm)	1
9	Handshower Cradle Assembly	1
10	Full Brass Handshower	1
11	Filter Gasket	1
12	Handshower Hose	1
13	Screws	4
14	Positioning and Support Brackets	2
15	Anchor Screws	4



Recommended Tools for Installation:

 PH +			 22mm(7/8")
Phillips Screwdriver	Pencil	Shears	Wrenches
			 6mm (15/64") Drill Bit
Level	Sealing Tape	Hammer	Electric Drill



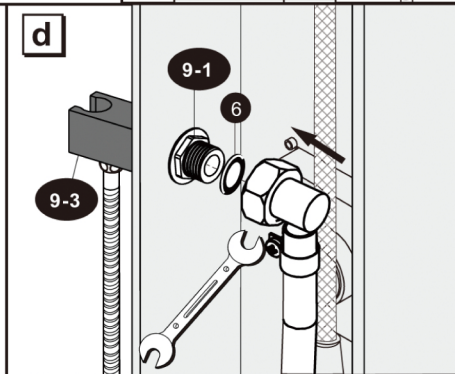
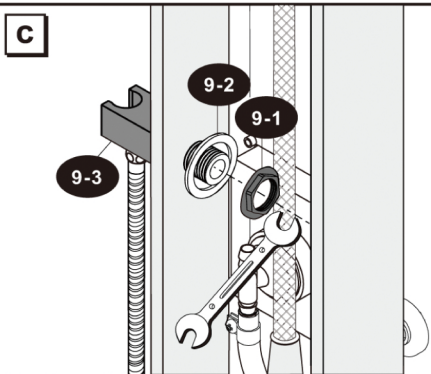
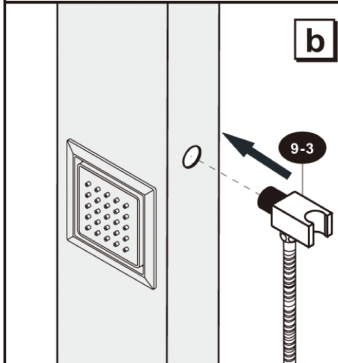
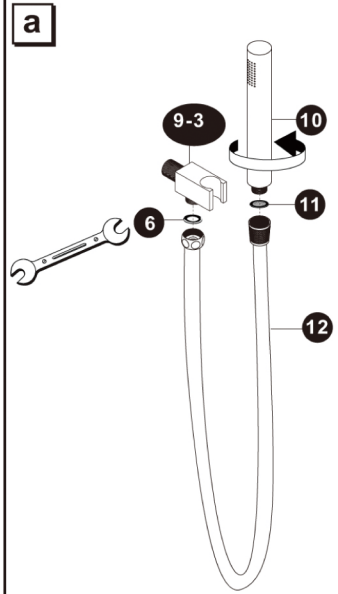
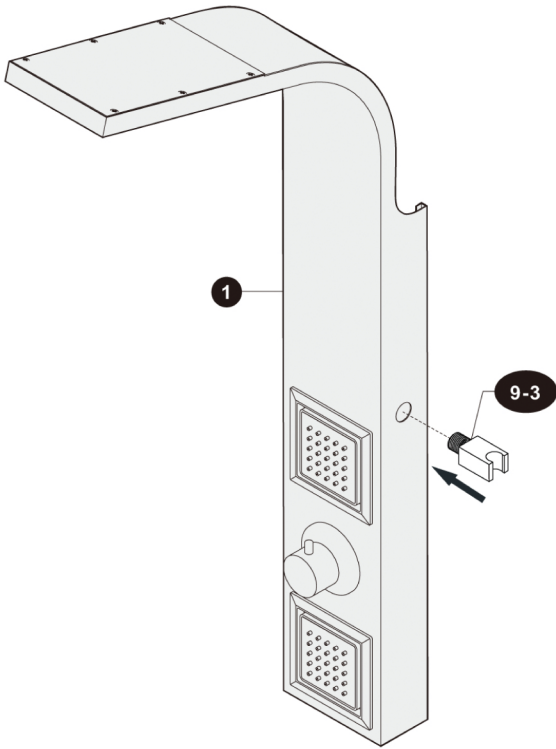
Attention:

- Please read this Installation and User Guide before operating.
- Always take extra care when installing to prevent injury. Please wear appropriate safety equipment.
- Do not allow children unsupervised use of the shower panel.
- Do not use the shower panel if you are physically impaired or under the influence of alcohol or any substance which may prevent you from properly operating the shower panel.
- Keep enough distance between yourself and the shower panel.
- Do not allow sensitive parts of the body such as eyes to come too close to the shower jets.
- Proper pressure balance needs to be maintained between hot and cold water inputs to prevent scalding or injury.

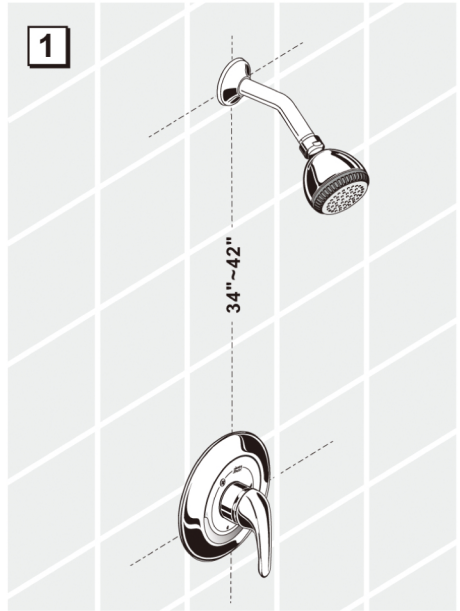
Important Note for Installation:

- Before and during installation, please read and familiarize yourself with all installation instructions for this product.
- Please keep all components, parts and accessories of this product away from small children and minors. During installation, all screws, tools and small parts should be supervised so that they do not fall into the hands of children.
- Use caution at all times when installing this product. Please ensure that you are physically able to perform all parts of the installation and that you have the correct tools and equipment needed.
- Before beginning, remove all wrappers and packing materials including staples and packing straps.
- Please check to ensure that all components and parts are complete.
- The Filter Gasket (Part # 11) must be installed to protect against incoming dirt by pipework. Incoming dirt can impair the function and/or lead to damages on functional parts of the fixture. Manufacturer will not be held liable for resulting damages.
- The O Ring Gasket (Part # 6) must be installed to prevent water leakage. Manufacturer will not be responsible or liable from any damage which results directly or indirectly from failure to installation of the O Ring Gasket.

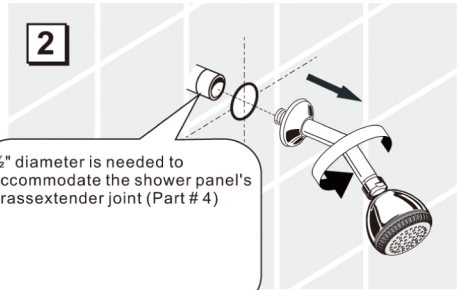
ASSEMBLY



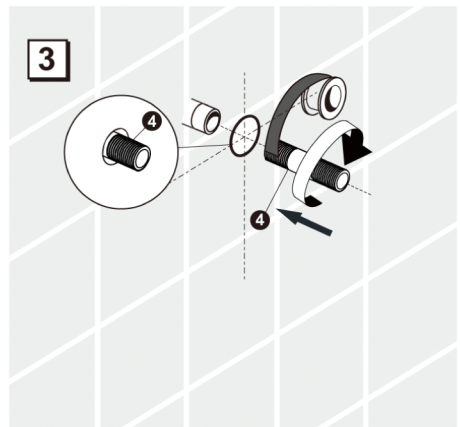
- Before beginning installation, please ensure there is sufficient space and clearance to accommodate the shower panel (34"-42" under shower head). If the space available is outside this range, the shower panel will not fit.



- Turn over the main water valve or source to your existing shower. Remove the existing shower head and shower head arm.



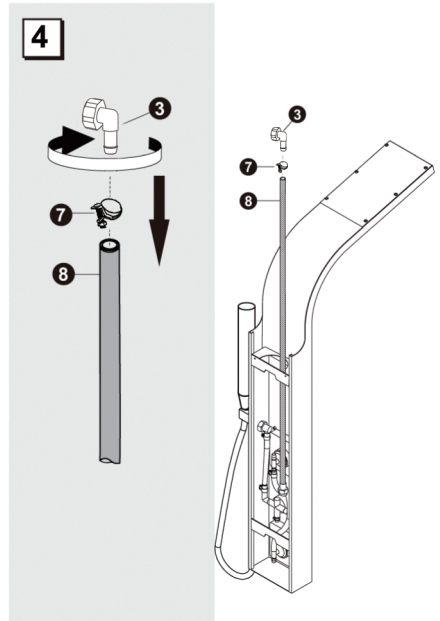
- Connect the shower panel's 1/2" brass extender joint (Part # 4) to the existing shower head pipe outlet. Use waterproof plumbing tape to secure the connection and prevent leaks. (*There are 2 sizes of 1/2" brass extender joint (Part#4) provided. Please choose the appropriate size for this part depending on the thickness of the shower wall)



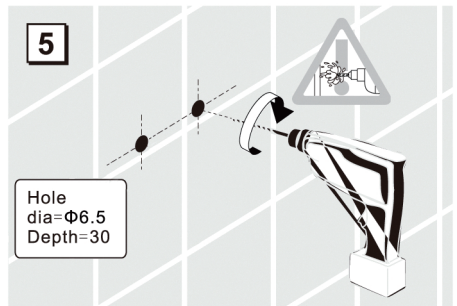
INSTALLATION

Connecting the elbow connector assembly to the main PVC supply line:

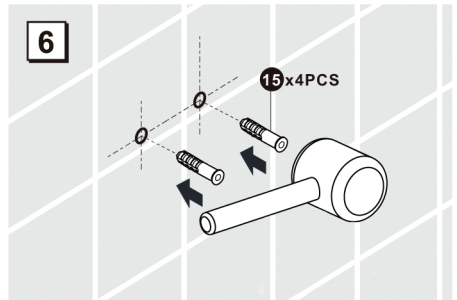
- Insert top-end of Main PVC Supply Line (Part 8) into the Stainless Steel Clip (Part 7).
- Insert Part 3 into combination of 7/8 and tighten in a clockwise turn motion while gently but firmly pushing downwards until the main PVC supply line is properly connected to the elbow connector valve with o-ring gasket and chrome compression nut is in between.



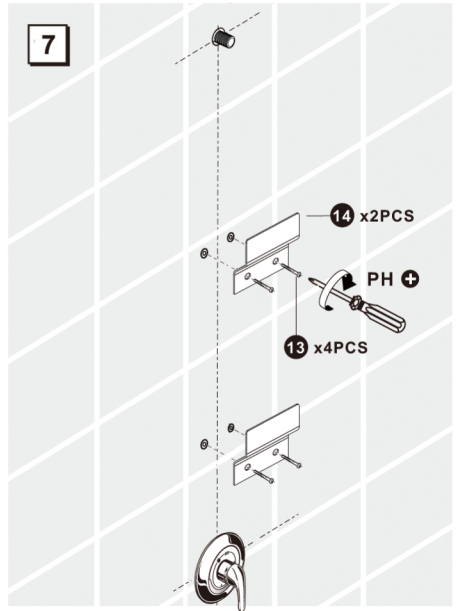
- Use the drill with correct indicated sized drill bit to drill each of the 4 holes as marked in step 6. Do not drill too deep a hole - only enough depth to fully enclose the anchor screws. Note: Please double check to ensure there is no existing water pipes or obstruction behind area you are drilling. If there is an obstruction, you will need to reposition the template guide to avoid it.



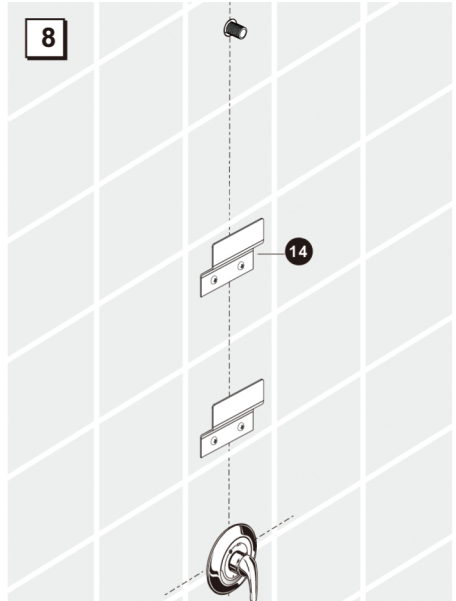
- After holes have been drilled, insert the provided Anchor Screws (Part 15).



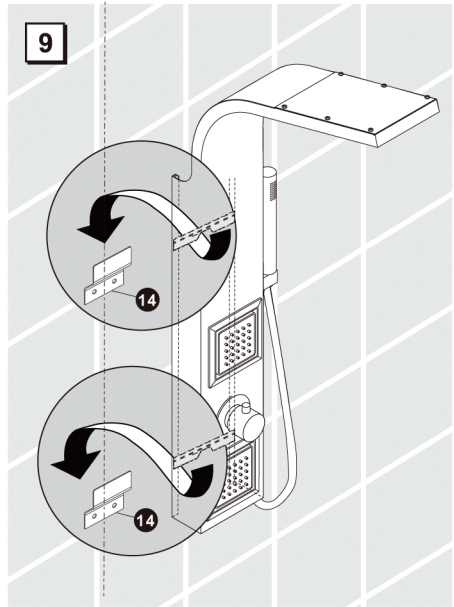
- After anchor screws have been installed, affix the Positioning & Support Brackets (Part 14) using supplied Screws (Part 13).



For the Positioning & Mounting Brackets (Part 14), please make sure that they are installed with protruding portion facing upward as shown in the drawing.



- After all connections have been completed on the rear of the shower panel, it is ready to be hung unto the shower wall for permanent installation.
- Simply raise the shower panel and bring close to the surface of the shower wall and gently lower it until the bracket support struts meet the Positioning & Support Brackets pre-welded at the back of the shower panel. Please ensure the middle part of the brackets (Part 14) are centered to the middle part of the bracket support struts which have a cut-out section to lock in the brackets.
- Once a snug and secure fit is achieved and all parts of the PVC Supply Line are secured to the back of the shower panel, silicone sealant can be applied to the rear of the shower panel casing to hold it in place and prevent water from entering the rear of the panel.

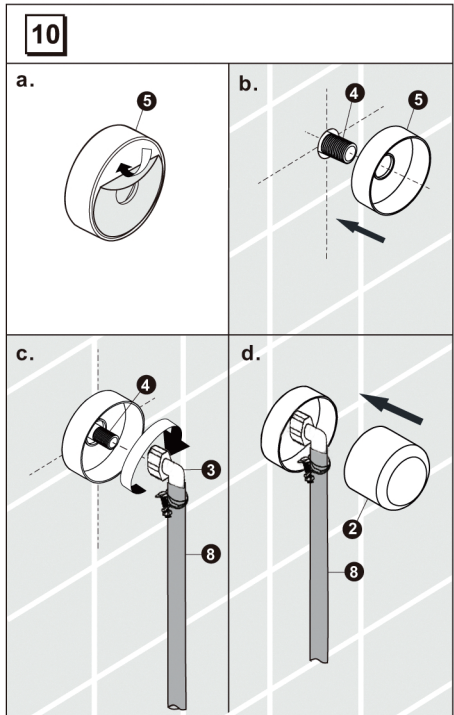


- Peel off the adhesive paper from the back of the Base Plate Cover (Part 5)
- Position the flat side of Part 5 with adhesive facing the shower wall and apply pressure to secure it.

Note: Please make sure this surface is free from dirt and residue to ensure the adhesive bonds with the wall. If the existing shower pipe outlet does not protrude from the wall, then there is no need to apply the Base Plate Cover (Part 5) and the Shower Head Outlet Connection Cover (Part 2)

- Join the Elbow Connector/Main PVC Pipe assembly to the Brass Extender Joint (Part 4) by connecting them and turning clockwise to tighten (do not over-tighten).
- Install the Shower Head Connector Cover (Part 2).

Congratulations! You have completed installation of your new shower panel! We hope you enjoy using your new shower panel for many years to come! Thank you!



WARRANTY

A&E Shower and Baths Inc. (hereafter "A&E") offers the following limited warranty on each of its products. This warranty extends only to the original owner/end-user for personal household use. A&E warrants their products to be free from defects in workmanship and materials under normal use and service for a period of one (1) year from the original date of purchase by the owner/end-user. Any product reported to an authorized dealer or to A&E as being defective within the warranty period will be repaired or replaced (with a product of equal value) at the discretion of A&E. This warranty is not transferable to a subsequent owner. Neither the distributor, authorized A&E dealer, nor any other person has been authorized to make any affirmation or representation of this warranty; any affirmation, representation or warranty other than those contained in this warranty shall not be enforceable against A&E or any other person. A&E reserves the right to modify this warranty at any time, it being understood that such modification will not alter the warranty conditions applicable at the time of the sale of the product in question. This warranty shall not apply following incorrect operating procedures, breakage or damages caused by fault, carelessness, abuse, misuse, misapplication, improper maintenance, alteration or modification of the unit, as well as chemical or natural corrosion, accident, fire, flood, act of God, or any other casualty. This warranty shall not apply to stain or malfunction caused by ferrous water, hard water, or salty water. A&E is not responsible for transportation costs of the defective product from the installation site to A&E, or for the return of any part, or for the cost of labour or services incurred in the removal or reinstallation of any part. A&E expressly disclaims and excludes any liability for the consequential or incidental damage caused or resulting from incidental event, loss of time, loss of use, inconvenience, unnecessary expenses, labour, material of other costs with respect to the application of this warranty or with respect to the removal or replacement of a defective product. Under no circumstances shall A&E or any of its representatives be held liable for injury to any person or damage to any property however arising.

Bain Signature

**6400A St. Jacques
West Montreal,
Québec Canada
H4B 1T6**

Please contact us by email
Veillez nous contacter par
email: bainsignature.com
Tel: (514) 482-5403
1-888-AEBATH5
(1-888-232-2845)
(Toll Free/Sans frais)
www.bainsignature.com